



LIQUID CONTROLS

LectroCount® Electronic Registers

Simply the Best™



Liquid Controls produces among the most reliable and accurate flow computers available, worldwide. For truck-mounted or fixed-site custody transfer applications requiring **Weights & Measures-approved** accuracy, LC products deliver consistent, error-free, dependable service.

Liquid Controls' family of LectroCount electronic registers provide near-perfect metering accuracy over a full range of flow rates and deliver enhanced functions including: automated data collection (e.g., date, time, product selection, delivery quantity), on-site ticket generation, meter linearization, valve control, electronic temperature volume compensation, improved security, and more.

Superior performance features

Compatible with virtually all flow meters, the family of NEMA 4X LectroCount electronic registers is UL Class 1 listed and Weights & Measures approved. A simple "Run," "Stop," "Print" operator selector switch makes product delivery easy. Optional electronic temperature volume compensation eliminates the effect of product temperature change on measured volume. LectroCount registers are easily field calibrated to Weights & Measures standards. The LectroCount LCR-II's large, 6-digit, weatherproof LCD display provides readout of totalizer, preset quantity, flow rate, temperature, time, and more.



Advantages of electronic registration

- **Superior accuracy**
 - Meter linearization
 - Electronic temperature volume compensation
- **Improved efficiency**
 - Electronic presetting
 - No more hand written tickets
 - Reduced delivery time
- **Increased profitability**
 - No more manual pricing errors
 - Reduced postage expense
 - Streamlined office operations
- **Automatic data collection**
- **Improved security and audit trail for custody transfer**
- **"Real time" communication platform for sophisticated dispatching systems involving RF, GPS, and CDPD**



LectroCount® LCR-II® electronic register

LectroCount® LCR-II®



The LectroCount LCR-II is a microprocessor based, electronic register that offers advanced operating features including:

- Full Weights & Measures Approvals
- Class I, Division 1 or Division 2, Group C & D weatherproof NEMA 4X enclosures
- Accepts input from PD, amplified turbine, electromagnetic, and mass flow meters
- Multi-point calibration
- Multiple product selection (up to four products)
- Optional electronic temperature volume compensation (ETVC)
- Large character, backlit display
- Ten digit totalizer

Two control buttons for:

- Accessing internal menus
- Adjusting programmable data
- Field calibration without a lap pad
- Presetting
- Push button viewing of flow rate, temperature, time, differential pressure, totalizer, and product

Operating Temperature Range:

-40° to 158°F (-40° to 70°C)

Approvals:

US Weights & Measures: NTEP COC 86-022
Canada Weights & Measures: AV-2342

Communication:

RS232/485, lap pad, hand held, PC

Power:

+9 to 28 VCD, 3A maximum

Inputs:

Temperature: 4-wire platinum RTD

Pulse: +5 to 28 volt peak to peak, open collector, single channel or quadrature, 0-1500 Hz per channel

Outputs:

Control valve (2): open drain transistor for 2-stage valve control, 1A maximum per channel.

Auxiliary (2): open drain transistor for general purpose auxiliary control. Aux (1), 1A maximum; Aux (2), 150mA maximum

Scaled pulse output: open drain output, 1A maximum

LectroCount³



POS system



RAM system

The LectroCount³ is a microprocessor based, electronic register that offers advanced operating features including:

- Full Weights & Measures Approvals
- Class I, Division 1 or Division 2, Group C & D weatherproof NEMA 4X enclosures
- Accepts input from PD, amplified turbine, electromagnetic, and mass flow meters
- Multi-point calibration
- Multiple product selection (up to 24 products)
- Optional electronic temperature volume compensation (ETVC)
- Large character, backlit display
- Ten digit totalizer
- Odometer input for recording truck movement
- Price extended delivery ticket and detailed shift report
- Upgrades for RAM or RF version
- Dual meter module

Operating Temperature Range:

-40° to 158°F (-40° to 70°C)

Approvals:

US Weights & Measures: NTEP COC 86-022
Canada Weights & Measures: AV-2188

Communication:

RS232/485, lap pad, hand held, PC

Power:

+9 to 28 VCD, 3A maximum

Inputs:

Temperature: 4-wire platinum RTD

Pulse: +5 to 28 volt peak to peak, open collector, single channel or quadrature, 0-1500 Hz per channel

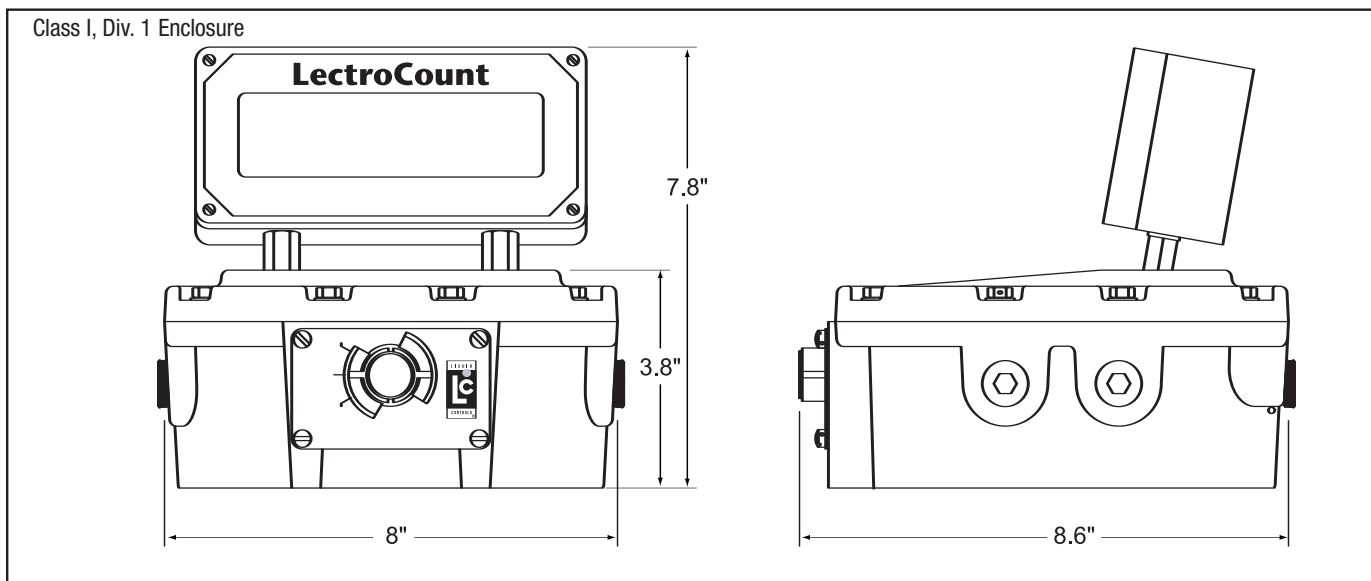
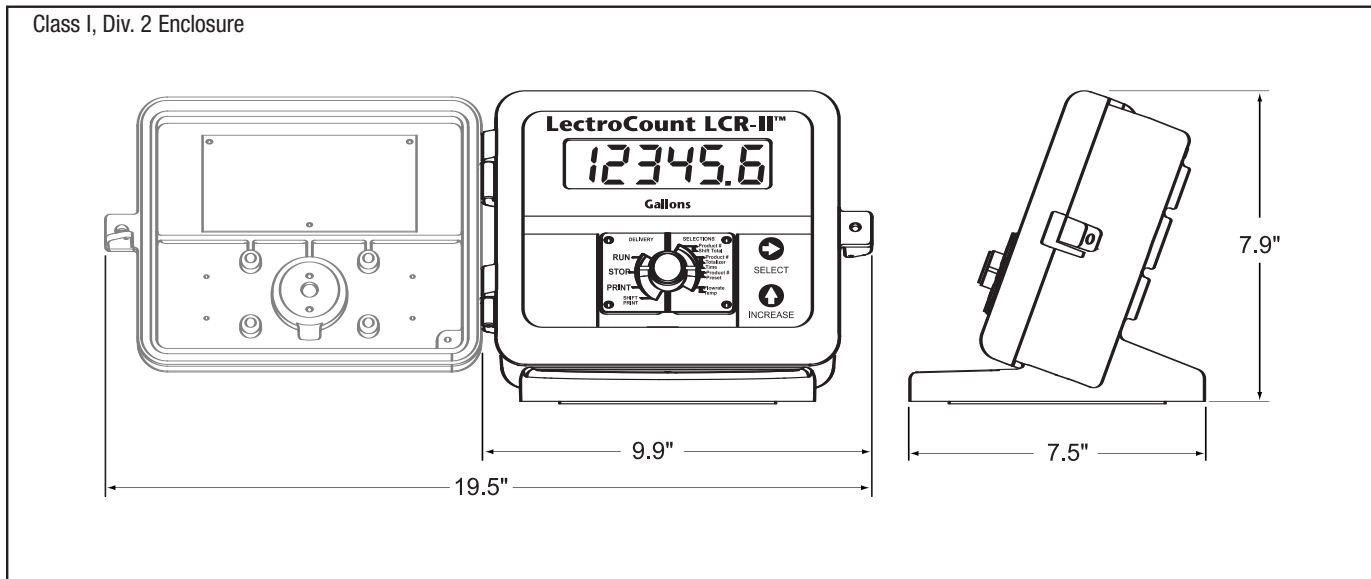
Outputs:

Control valve (2): open drain transistor for 2-stage valve control, 1A maximum per channel.

Auxiliary (2): open drain transistor for general purpose auxiliary control. Aux (1), 1A maximum; Aux (2), 150mA maximum

Scaled pulse output: open drain output, 1A maximum

Enclosure Dimensions



NOTE: Dimensions shown are not for construction use. Consult factory when certified engineering prints are required.

Backed by our world-wide reputation for quality, accuracy and advanced design.



LIQUID CONTROLS

A Unit of IDEX Corporation
 105 Albrecht Drive, Lake Bluff, IL 60044-2242
 1.800.458.5262 • 847.295.1050
 Fax: 847.295.1057
www.lcmeter.com



Copyright © 2005 Liquid Controls, LLC.
 Pub. E300-10 (6/05)



Printed on recycled paper
 using soy inks